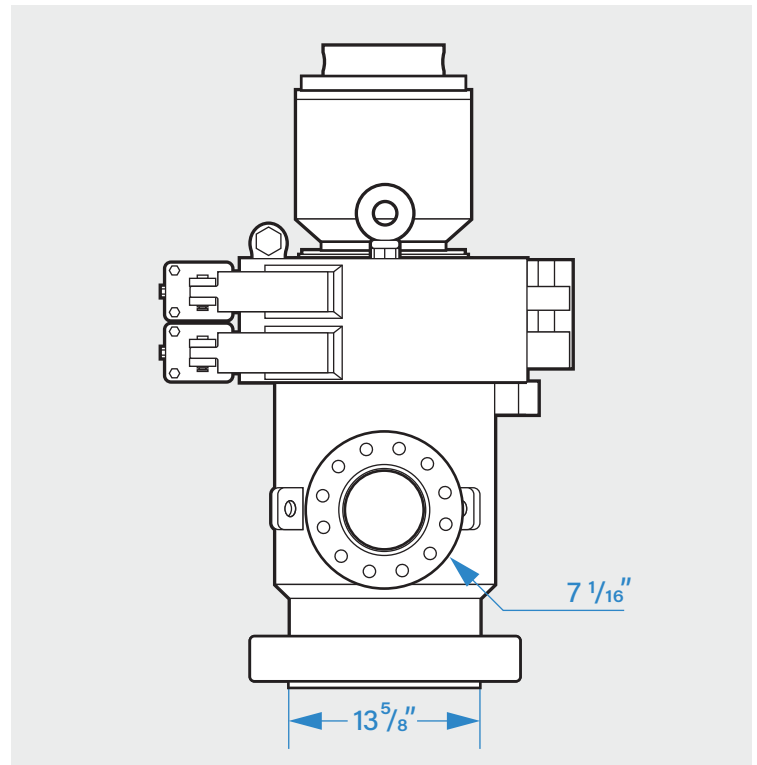
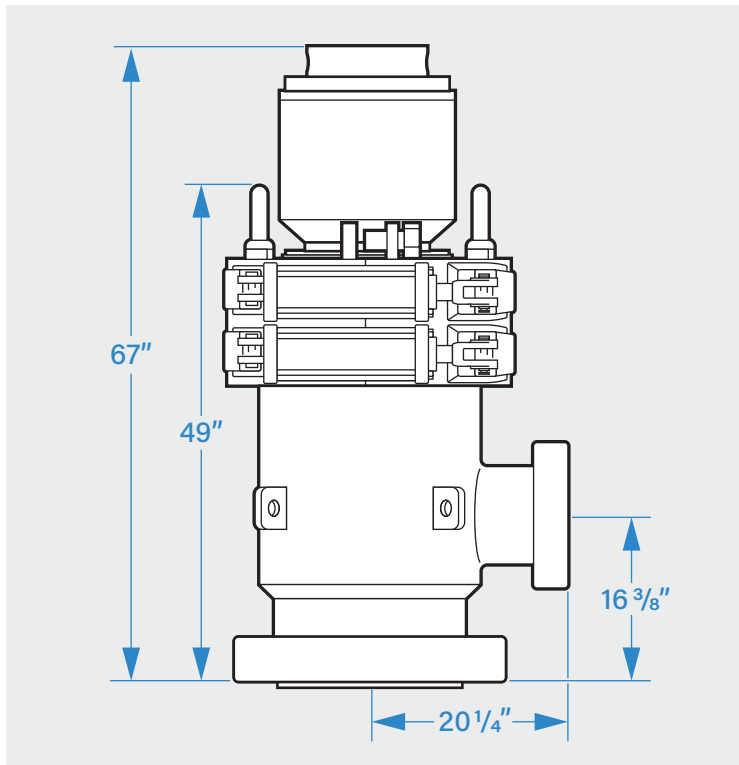


High Pressure Rotating Control Device (HP RCD)

HP RCD PRESSURE RATING PSI:

5000# Static

2500# Dynamic



SPECS:

16 3/8" Face of bottom flange to center of outlet flange

20 1/4" Center of bottom flange to face of outlet flange

49" Face of bottom flange to top of lifting eyes

67" Face of bottom flange to top of bearing (installed)

OUTLET FLANGE:

7 1/16" 5M

BOTTOM FLANGE:

13 5/8" 5M

All measurements assume the bearing is installed and clamps engaged.

